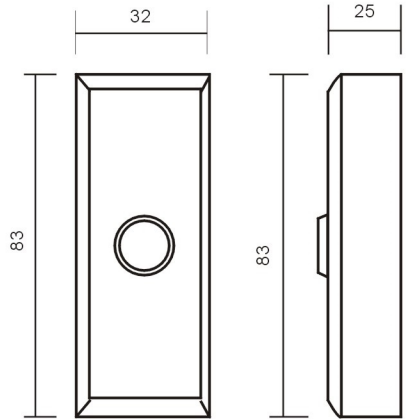


Door Release Button with Back Box

SPECIFICATION EX-909

- **Size:** 83Lx32Wx25H(mm)
- **Current Rating:** 3A@36VDC Max
- **Suitable for Door:** All Kind of the Narrow Door Frame
- **Standard Structure:** Alloy Plate, Steel Button
- **Output Contact:** Normal open
- **Panel Material:** Alloy Plate, Sandblast Finished
- **Weight:** 0.086kg



WIRING DIAGRAM

