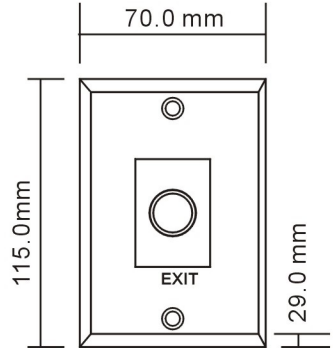


# Infrared Sensor Exit Button

## SPECIFICATION EX-907

- **Input:** 12VDC
- **Contact Rating:** 3A @12VDC
- **Output Contact:** NO\NC\COM
- **Operating Temp:** -20°C-55°C
- **Suitable Humidity:** 0-95%
- **Mechanical Life:** 500,000 tested
- **Dimension:** 115Lx70Wx29H(mm)
- **Detection range:** 0.1-10cm



### LED Indicator:

- **White LED indicator:** Power OFF
- **Blue LED indicator:** Power ON(standby)
- **Red LED indicator:** Power ON(sensation)

## WIRING DIAGRAM

