

Door Release Button

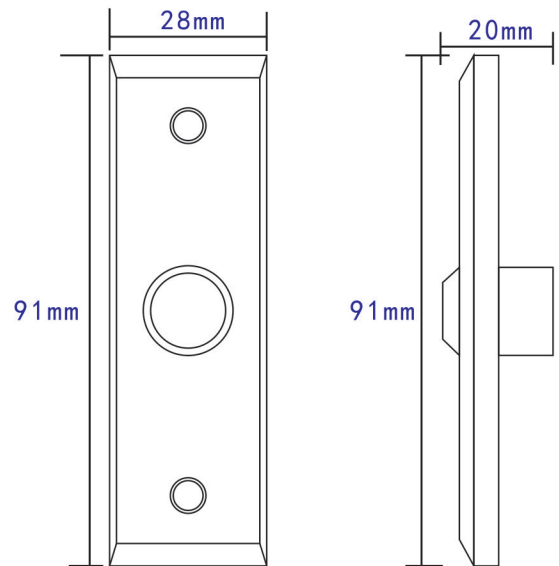


Read the manual before usage and keep for future reference.

CE FC RoHS

SPECIFICATION EX-905

- **Size:** 91Lx28Wx20H(mm)
- **Current Rating:** 3A@36VDC Max
- **Color:** White, Blue (luminescence)
- **Panel Material:** Stainless steel Panel,
Wire Drawing Finished
- **Standard Structure:** Stainless steel Panel,
Steel Button
- **Output Contact:** NO\NC\COM
Suitable for Door: Hollow Door
- **Weight:** 0.1kg



WIRING DIAGRAM

