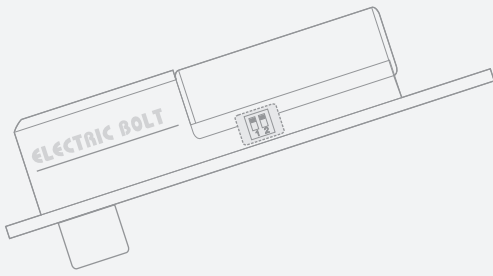


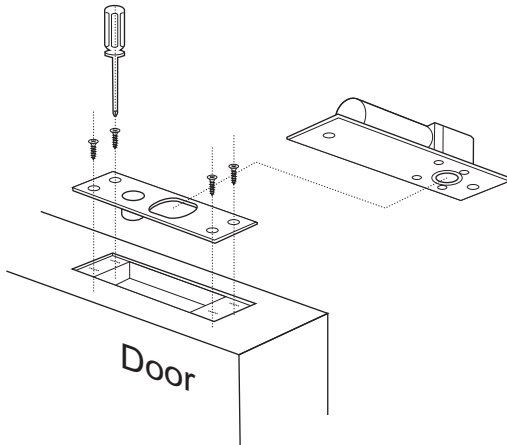
## Ultra-low Temperature Electric Bolt EB-801 User Manual



Read the manual before usage and keep for future reference.

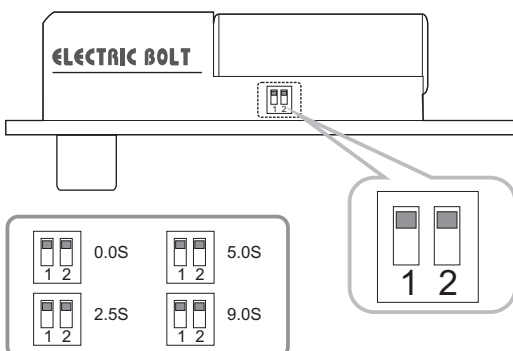


### 3. Installation of Magnetic Flake

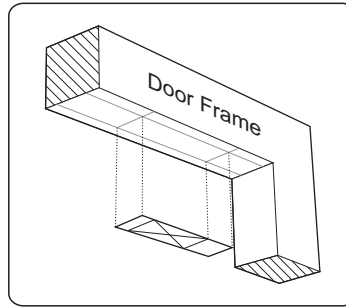


### 4. Close-door Delay Selection

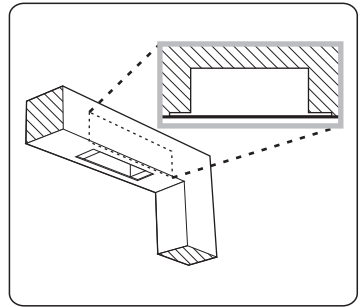
Please note some model is without such time delay function below.



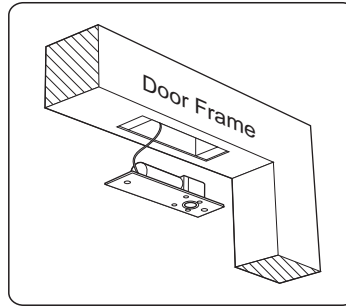
### 1. Embedding Installation



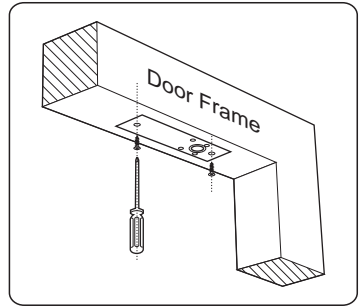
1. Aligning the sticker to the marking made on the door frame.



2. Cut a hole



3. Connect the cable



4. Fasten the screw

### 2. Cable Connection

Red: 12V-DC Positive

Black: 12V-DC Negative

White: one connected to NC (magnetic detection Normal-close terminal), the other connected to GND(ground).

### 5. Product Features

Working Voltage:12V-DC

Working Current:initiation 900mA, working 100mA

Type of Coil:Continuous working

Security Type:Fail-Safe

Lock Core Size:Diameter 16mm, stainless steel, bulge length 16mm

Installation Hole Size:L×W 207mm× 36mm (Hole depth larger than 40mm)

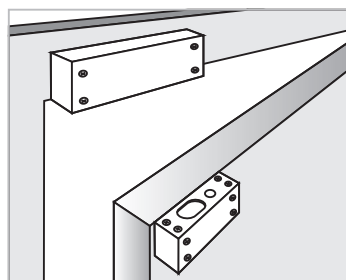
Decoration Plate Size:L×W×H 215mm×41mm×0.5mm

Lock Plate Size:L×W×H 205mm×35mm×3mm

Door-state Detection:the door detector is switched on or off.

**Note: Other dimension of the electric bolts maybe different from the dimension above, please kindly refer to the actual dimension.**

### 6. Other Installation Diagrams



Exposed installation is applied when the door frame is too narrow.

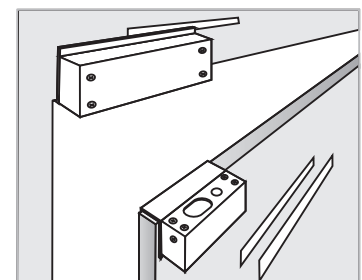


Diagram for installation on frameless glass door and glass wall.